



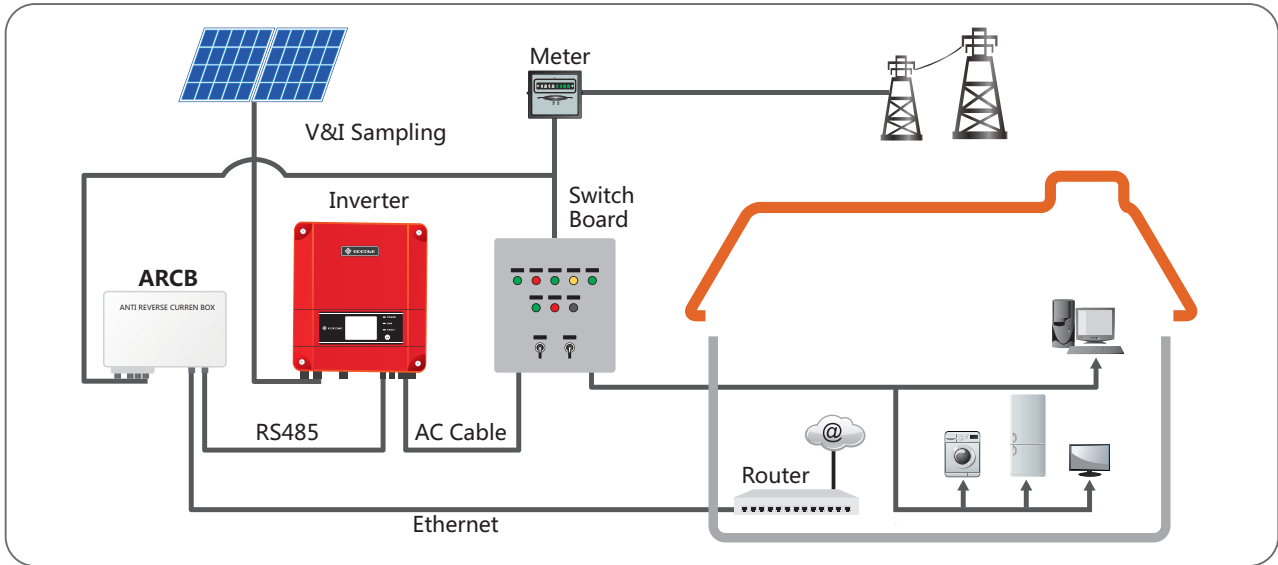
ARCB (Anti Reverse Current Box)

ARCB (Anti Reverse Current Box) is a power management device which is developed by GoodWe and can be applied for solar projects of self-consumption without power export to the grid. ARCB can ensure that the power generated by solar system will not export to grid at anytime. Besides that, ARCB is also a monitoring device and it can send the running data of solar system, including electricity consumptions, to web portal. The owner can review it conveniently and vividly.

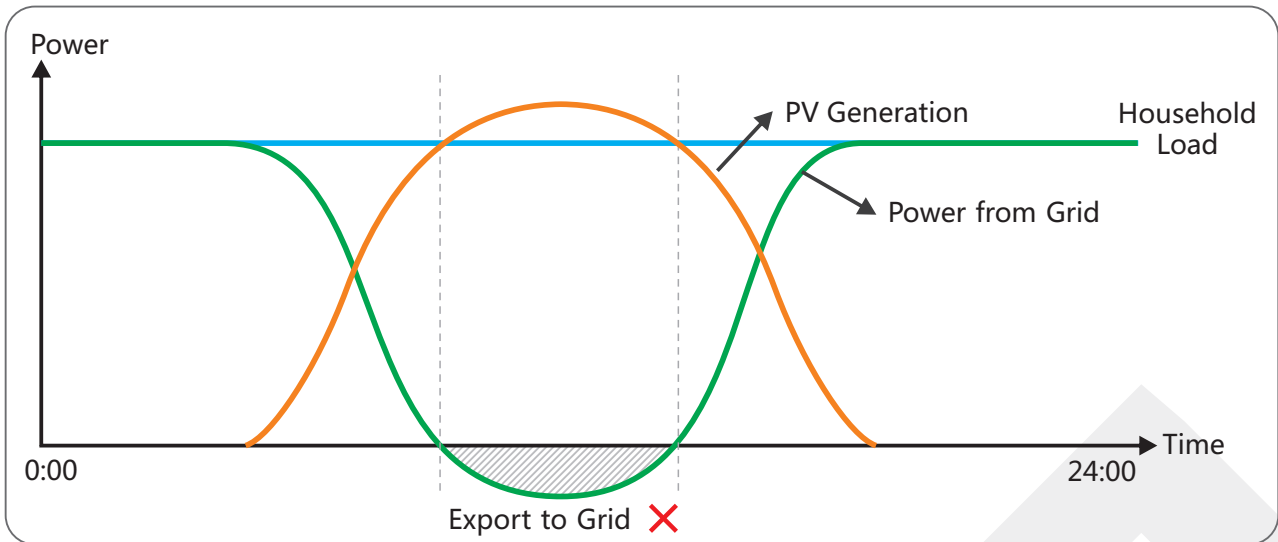
Technical Data

Item	Parameter
Input Voltage Range	85~265Vac, 45~65Hz, 3L/N/PE or L/N/PE
Input Current Range	0~5Aac
Max. Inverters Connection	12
Power Consumption	<10W
Operating Temperature Range	-20~60°C
Humidity Range	0~95%
Protection Degree	IP65
Communication with Inverter	RS485 (MAX. 800M Cable)
Communication with Portal	Ethernet (MAX.100M Cable)
Respond Time	<10 Sec

Connection Diagram



System without ARCB



System with ARCB

